

SPORTS LIGHT (MSL01)



DESCRIPTION

By providing superior high output and high efficiency, NAC sports light series is the ideal solution for outdoor sports lighting such as municipal, school and semi-professional outdoor sports lighting. Dynamic thermal management design maximizes heat dissipation and significantly improves the life of luminaires. Built-in surge suppression adds an extra layer of protection to the luminaire driver. Versatile mounting bracket for hassle-free installation.



SPECIFICATION FEATURES

Construction

- Sealed die-casting profile for outdoor applications
- Low profile, 3G vibration rated compact design minimizes wind load requirements.
- Housing is completely sealed against moisture and environmental contaminants (IP65).

Optics

- Available in NEMA 3Hx3V, 4Hx4V distributions.
- Light engines are available in standard 4000 K, 5000K and 5700 K (70/80/90 CRI) configurations.
- Scalable Lumen Packages from 68,160 to 118,000 Lumens.
- Optics is precisely designed to shape the distribution, maximizing efficiency and application spacing.

Electrical

- Universal 120-277 VAC or 277-480 VAC input voltage
- Standard with 0-10V dimming driver(s)
- Built in surge suppression with max.20KV @120-277V(Max.40KV @277-480V).
- THD: ≤20%
- Power Factor: ≥90%

Ambient Temperature

- Ambient operating temperature -40 C to 55 C (-40 F to 131 F).

Lifespan

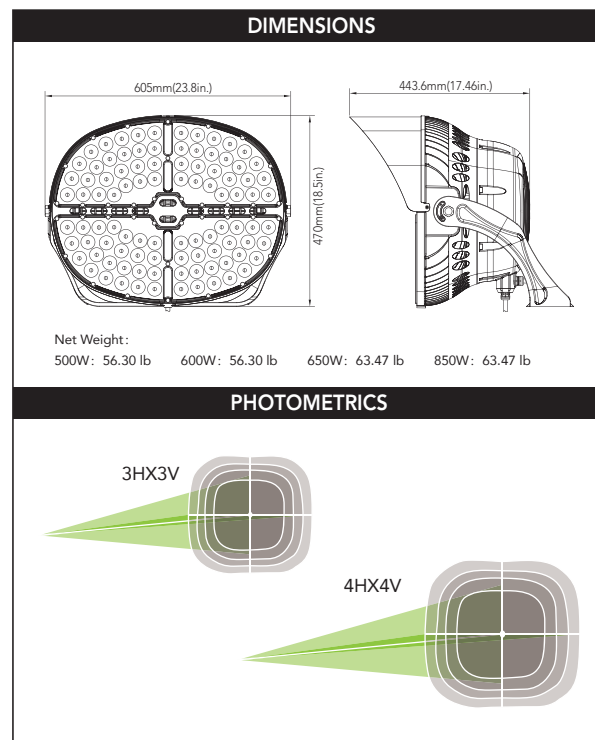
- Estimated 100,000-hour LED lifespan based on IES LM-80 results and TM-21 calculations

Note

- Actual performance may differ as a result of end-user environment and application. All values are design or typical values, measured under laboratory conditions at 25 C (±5 C) specifications subject to change without notice.

Certifications

- DesignLights Consortium™ Qualified.
 - UL cUL wet location listed.
- Note: DesignLights Consortium™ Qualified and classified for DLC Standard, refer to www.designlights.org for details.



PERFORMANCE DATA

SYSTEM WATTS	VOLTAGE	NEMA	EPA	CRI	LUMENS (4000K)	LPW (4000K)	LUMENS (5000K)	LPW (5000K)	LUMENS (5700K)	LPW (5700K)	Warranty
500W	120-277V/347-480V	4Hx4V	1.2413	70	71000lm	142 lm/W	71000lm	142 lm/W	69000lm	138 lm/W	10 Years
		3Hx3V	1.2413	70	68160lm	136 lm/W	68160lm	136 lm/W	66240lm	132 lm/W	
600W	120-277V/347-480V	4Hx4V	1.2413	70	84000lm	140 lm/W	84000lm	140 lm/W	82000lm	137 lm/W	5 Years
		3Hx3V	1.2413	70	80640lm	134 lm/W	80640lm	134 lm/W	78720lm	131 lm/W	
650W	277-480V	4Hx4V	1.2413	70	91000lm	140 lm/W	91000lm	140 lm/W	88000lm	135 lm/W	10 Years
		3Hx3V	1.2413	70	87360lm	134 lm/W	87360lm	134 lm/W	84480lm	130 lm/W	
850W	277-480V	4Hx4V	1.2413	70	118000lm	139 lm/W	118000lm	139 lm/W	112000lm	132 lm/W	10 Years
		3Hx3V	1.2413	70	113280lm	133 lm/W	113280lm	133 lm/W	107520lm	126 lm/W	

ELECTRICAL DATA

Number Of Drivers	Driver Current (mA)	Nominal Power (W)	INPUT VOLTAGE (V)	CURRENT (Amps)
1	4800	500	120	4.17
		500	208	2.40
		500	240	2.08
		500	277	1.81
		500	347	1.44
		500	480	1.04
1	4650	600	120	5.00
		600	208	2.88
		600	240	2.50
		600	277	2.17
		600	347	1.73
		600	480	1.25
1	5200	650	277	2.35
		650	347	1.87
		650	480	1.35
1	5200	850	277	3.07
		850	347	2.45
		850	480	1.77

ORDERING GUIDE

Example:MSL01500W27VXXKYYYYY

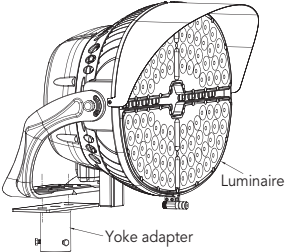

Fixture Type	Wattage	Voltage	CCT	Finish	Nema	Mounting(Optional)	Integrated Control	Internal Code
MSL01 Sports light series	500 500W 600 600W 650 650W 850 850W	27V 120-277V 48V 347-480V 48V 277-480V	40K 4000K 50K 5000K 57K 5700K	B Black	B33 3Hx3V B44 4Hx4V	TR Trunion	C With Integrated Control Blank Without Integrated Control	Blank Alphanumeric

Note: 1. 650W, 850W only suitable for 277-480V input
2. A 5-year warranty for 600W and other power have a 10-year warranty.

ACCESSORIES

			 DIM10-087-06
Black Top Visor (Default)	White Top Visor (Option)	Aiming Sight	Integrated Control (Option)

Mounting Bracket

 Luminaire Yoke adapter	
Another optional easy installation is provided to apply the fixture on a 2 3/8" tennon with NAC Yoke adapter.	Yoke Adaptor (Option)



NAC
LED LIGHTING EXPERT
<https://NACSmart.com>

NAC Smart Technologies
13090 Lorraine Rd.
Biloxi, MS 39532

P: (228) 547-7170

Email: accounts@nacsmart.com

Specifications are subject to change without notice.
Updated date: 2020-09-11