

# H-LBAY-HIGH BAY

## Installation Guide

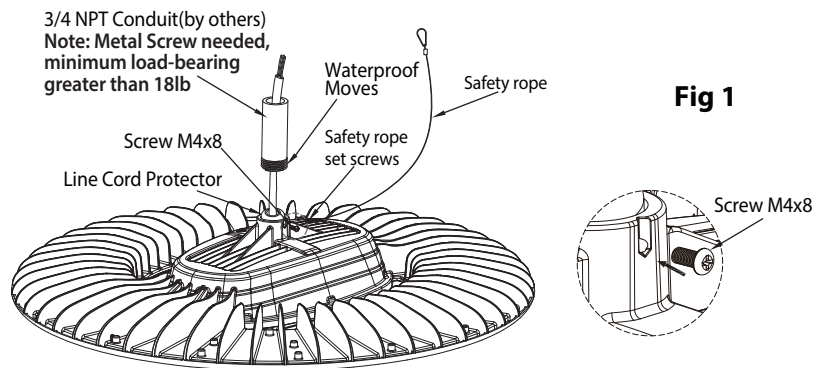
**WARNING**

**PLEASE READ ALL INSTRUCTIONS BEFORE ATTEMPTING INSTALLATION**

- To prevent personal injury or product damage only licensed electricians should install.
- To avoid electric shock or component damage disconnect power before attempting installation or servicing.
- This product must be installed in accordance with the national electric code (NEC) and all applicable federal, state and local electric codes and safety standards.
- Disconnect product and allow cooling prior to servicing.
- Any alteration or modification of this product is expressly forbidden as it may cause serious personal injury, death, property damage and/or product malfunction.
- To prevent product malfunction and/or electrical shock this product must be properly grounded.
- This luminaire is designed to operate in ambient temperatures ranging from -40°C to 55°C and to be horizontally mounted with the LEDs facing down.
- This product must be installed in accordance with the applicable installation code by a Person familiar with the construction and operation of the product and the hazards involved.
- In 75°C supply conductors.
- This product is not available for several special environments, such as places with corrosive gas liquids or high pressure water vapor.

### PENDANT MOUNTING

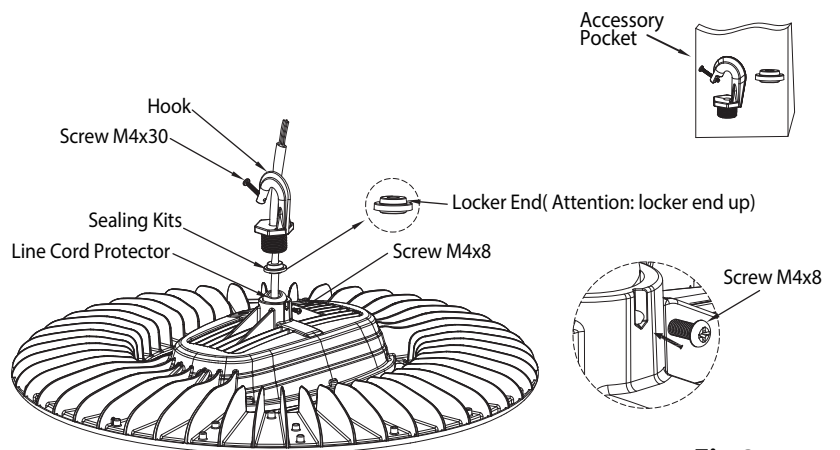
1. Remove the line cord protector firstly.
2. Thread the led luminaire onto the 3/4" NPT conduit until tight , secure the M4X8 screw and make wire connections.
3. caulk the conduit openings such as sealing kits, to ensure water does not enter fixture through 3/4 NPT conduit.



**Fig 1**

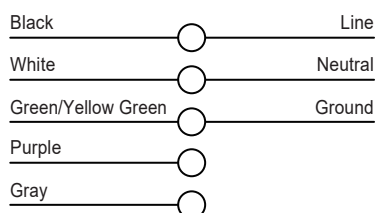
### HOOK MOUNTING

1. Remove the line cord protector firstly.
2. Wire locker end and hook , while make sure the locker end toward the hook to ensure water does not enter fixture.
3. Thread the hook onto the 3/4" NPT conduit until tight.
4. Tighten the M4X8 screw in the luminaire.
5. Using the sealing kits will ensure a watertight seal.



**Fig 2**

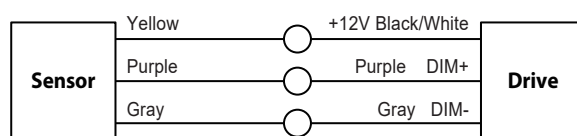
### Wire Connection



Note: Two dimming wires are in the driver box.

**Fig 3**

### Sensor Wire Connection



Note: The 12V DC output of one of the drives can supply power to the sensor. Never connect the two drivers' 12V DC output wires.

**Fig 4**