



Applications:

Suitable for commercial, retail and institutional applications including gymnasiums, factories and warehouses.

Features

- Optional 90 or 120 degrees lens for different light range and intensity level.
- Hook(default included) or Conduit pendant way for different applications.
- 1-10V dimming standard for a dimming range of 100% to 10%.
- Optional motion sensor can be offered for maximizing energy savings.
- Optional emergency function for emergency needs.
- Superior colour rendition index compared to HPS.
- Operating temperature is -40°C to 55°C (-40°F to 131°F).
- Resistant to shock and vibration.
- UL/cUL wet location and DLC qualified(Not included 100W).



Mounting
Suitable for Hook or 3/4" Conduit pendant.

Motion Sensor
Optional motion sensor allows for security and energy saving.

Emergency Battery
16W 2000lm 90min

Housing
Symmetrical design for consistent installed results. A large number of heat sinks for maximum heat dissipation. Combined with sensor detect added into the system, more energy would be saved and pretty less maintenance than MH technology.



PERFORMANCE DATA

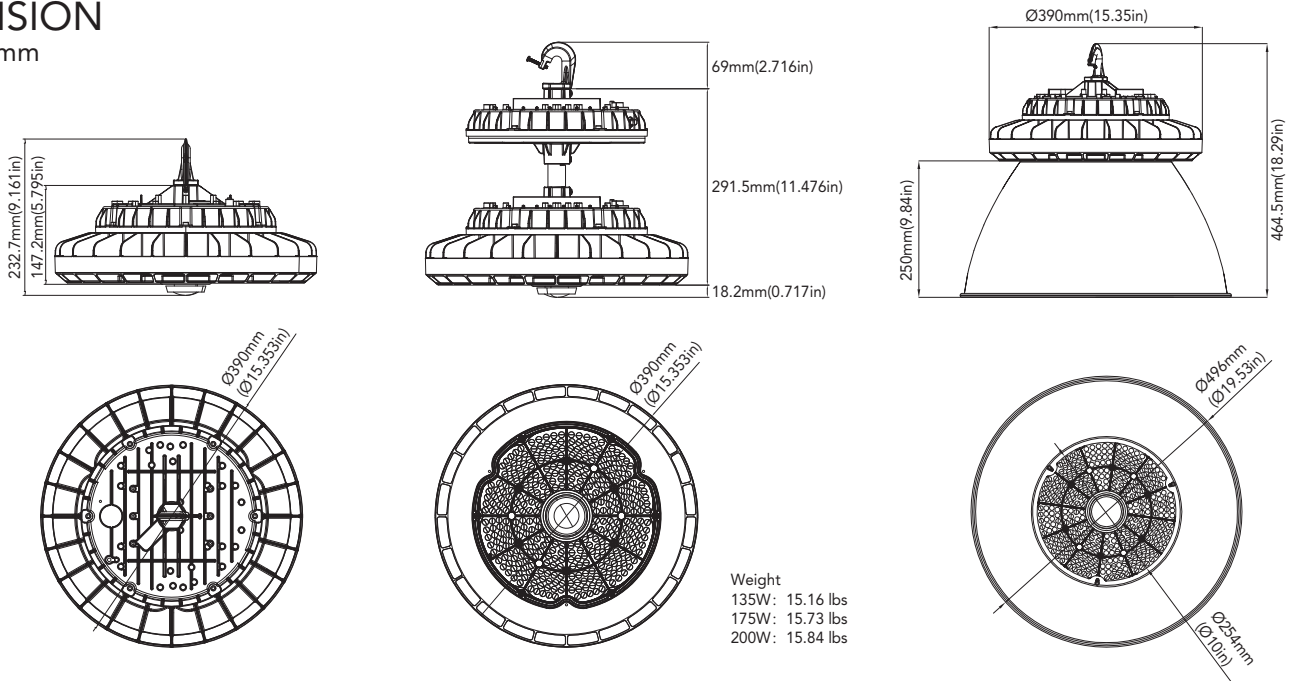
SYSTEM WATTS	VOLTAGE	4000K(70CRI)		5000K(70CRI)	
		LUMENS	LPW	LUMENS	LPW
100W	120-277VAC	14000lm	140lm/W	14000lm	140lm/W
135W	120-277VAC/347-480V	19400lm	144lm/W	19400lm	144lm/W
175W	120-277VAC	25600lm	146lm/W	25600lm	146lm/W
175W	347-480VAC	25000lm	143lm/W	25000lm	143lm/W
200W	120-277VAC	29800lm	149lm/W	29800lm	149lm/W
200W	347-480VAC	30000lm	150lm/W	30000lm	150lm/W

ELECTRICAL DATA

Number Of Drivers	Driver Current (mA)	Nominal Power (W)	INPUT VOLTAGE (V)	CURRENT (Amps)
1	2500	100	120	0.83
		100	208	0.48
		100	240	0.42
		100	277	0.36
2	3500	135	120	1.13
		135	208	0.65
		135	240	0.56
		135	277	0.49
	3700	135	347	0.39
		135	480	0.28
2	4540	175	120	1.46
		175	208	0.84
		175	240	0.73
		175	277	0.63
		175	347	0.50
		175	480	0.36
2	5200	200	120	1.67
		200	208	0.96
		200	240	0.83
		200	277	0.72
		200	347	0.58
		200	480	0.42

DIMENSION


unit: inch/mm




Weight
 135W: 10.39 lbs
 175W: 10.86 lbs
 200W: 10.87 lbs

Weight
 135W: 15.16 lbs
 175W: 15.73 lbs
 200W: 15.84 lbs

ACCESSORIES



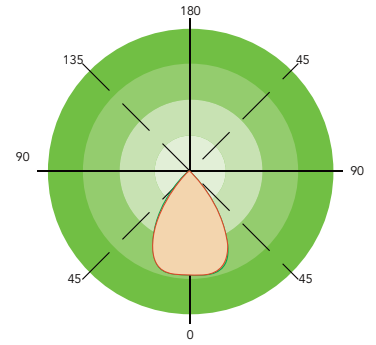
Motion Sensor
Integrated motion sensor available for on/off and dimming control for maximum energy savings.



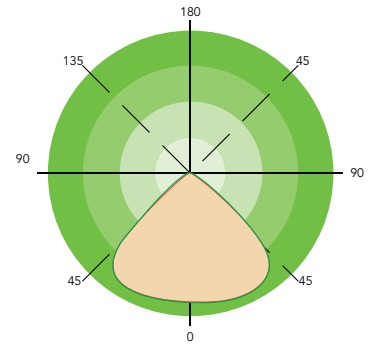
Emergency Box
Emergency battery pack would provide the necessary brightness in emergency situations. Applicable ambient temperature is 10°C (50°F) to 40°C (104°F).

PHOTOMETRICS

90 Degrees Lens



120 Degrees Lens



ORDERING GUIDE

Example: MHB04175W27V50KD

Fixture Type	Wattage	Voltage	CCT	Finish	Sensor (Option)	Backup Battery (Option)	Internal Code
<input type="text"/>	<input type="text"/>	<input type="text"/>	<input type="text"/>	<input type="text"/>	<input type="text"/>	<input type="text"/>	<input type="text"/>
MHB04 High Bay	100 100W 135 135W 175 175W 200 200W	27V 120-277V 48V 347-480V	40K 4000K 50K 5000K	D Dark Bronze B Black W White	M With Sensor Blank Without Sensor	B Emergency Battery Blank Without Emergency Battery	Blank Alphanumeric

DLC Model NO

SYSTEM WATTS	VOLTAGE	CCT	LED NO.	DLC NO.	DLC Classification
135W	120-277V	4000K	3030	MHB04135W27V40K[D,B,W][Blank,M][Blank,B][0-9,A-Z,a-z,Blank]	Premium
		5000K	3030	MHB04135W27V50K[D,B,W][Blank,M][Blank,B][0-9,A-Z,a-z,Blank]	Premium
	347-480V	4000K	3030	MHB04135W48V40K[D,B,W][Blank,M][Blank,B][0-9,A-Z,a-z,Blank]	Premium
		5000K	3030	MHB04135W48V50K[D,B,W][Blank,M][Blank,B][0-9,A-Z,a-z,Blank]	Premium
175W	120-277V	4000K	3030	MHB04175W27V40K[D,B,W][Blank,M][Blank,B][0-9,A-Z,a-z,Blank]	Premium
		5000K	3030	MHB04175W27V50K[D,B,W][Blank,M][Blank,B][0-9,A-Z,a-z,Blank]	Premium
	347-480V	4000K	3030	MHB04175W48V40K[D,B,W][Blank,M][Blank,B][0-9,A-Z,a-z,Blank]	Premium
		5000K	3030	MHB04175W48V50K[D,B,W][Blank,M][Blank,B][0-9,A-Z,a-z,Blank]	Premium
200W	120-277V	4000K	3030	MHB04200W27V40K[D,B,W][Blank,M][Blank,B][0-9,A-Z,a-z,Blank]	Premium
		5000K	3030	MHB04200W27V50K[D,B,W][Blank,M][Blank,B][0-9,A-Z,a-z,Blank]	Premium
	347/480V	4000K	3030	MHB04200W48V40K[D,B,W][Blank,M][Blank,B][0-9,A-Z,a-z,Blank]	Premium
		5000K	3030	MHB04200W48V50K[D,B,W][Blank,M][Blank,B][0-9,A-Z,a-z,Blank]	Premium



NAC
LED LIGHTING EXPERT
<https://NACSmart.com>

NAC Smart Technologies
13090 Lorraine Rd.
Biloxi, MS 39532

P: (228) 547-7170

Email: accounts@nacsmart.com

Specifications are subject to change without notice.
Updated date: 2020-11-09