



### WARNING

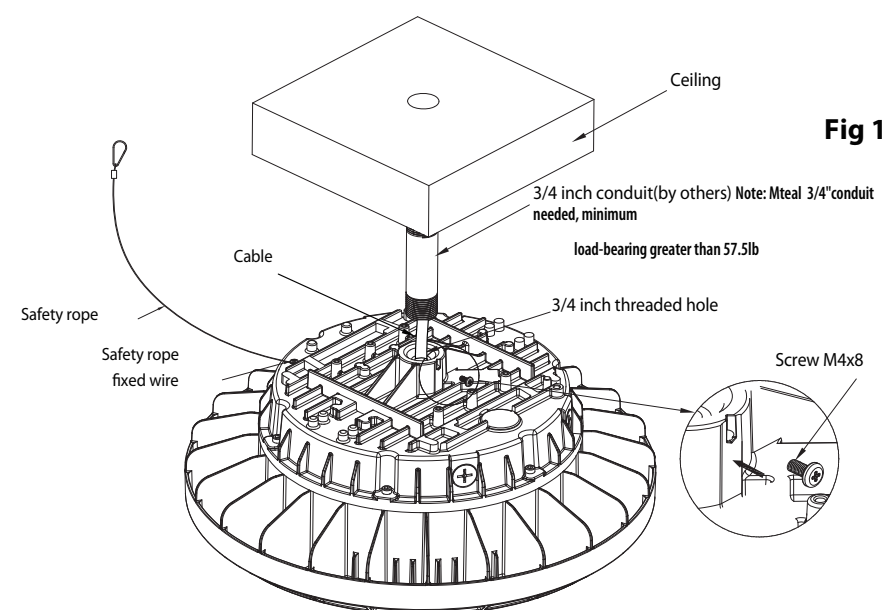
#### PLEASE READ ALL INSTRUCTIONS BEFORE ATTEMPTING INSTALLATION

- To prevent personal injury or product damage only licensed electricians should install.
- To avoid electric shock or component damage disconnect power before attempting installation or servicing.
- This product must be installed in accordance with the national electric code (NEC) and all applicable federal, state and local electric codes and safety standards.— Disconnect product and allow cooling prior to servicing.
- Any alteration or modification of this product is expressly forbidden as it may cause serious personal injury, death, property damage and/or product malfunction.— To prevent product malfunction and/or electrical shock this product must be properly grounded.
- This luminaire is designed to operate in ambient temperatures ranging from -40°C to 55°C and to be horizontally mounted with the LEDs facing down.
- This product must be installed in accordance with the applicable installation code by a Person familiar with the construction and operation of the product and

- the hazards involved.
- In 75°C supply conductors.
- This product is not available for several special environments, such as places with corrosive gas liquids or high pressure water vapor

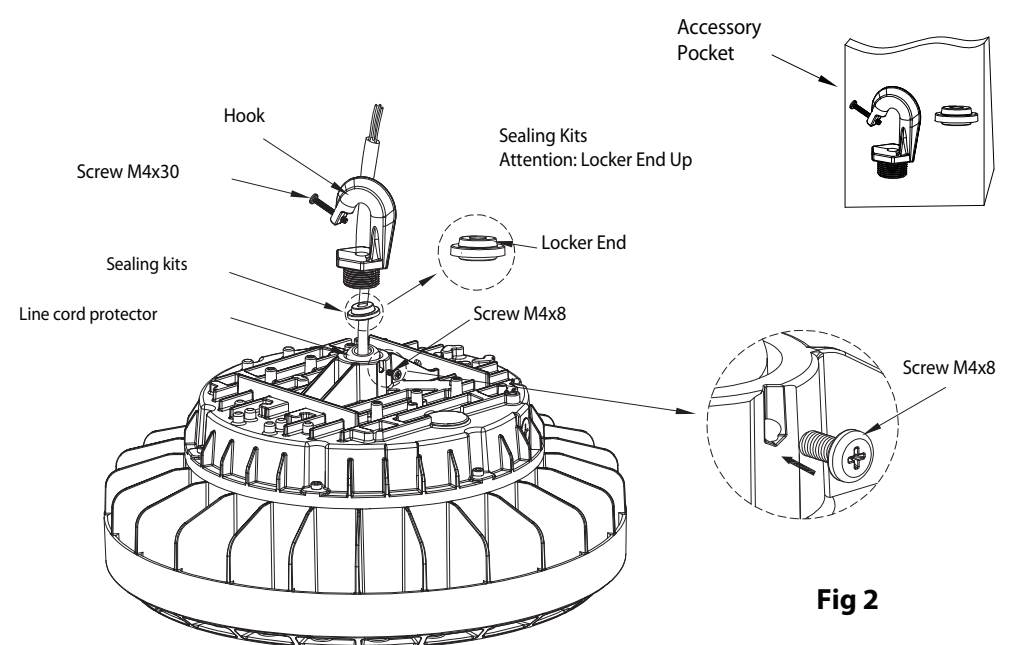
### Installing Pendent With 3/4" Conduit(by others) (Fig 1)

1. Finishing the connecting of fixture's input cables, Round rod thread need winding waterproof tape, then rotate the 3/4" conduit to fixture itself; at last, fix the conduit with fixture by M4\*8 screws
2. Tighten all of M4 bolt so that highbay shall not fall off. Up to now, installation is done.
3. Wire Live and Neutral cable respectively. Watch out for wire joint point and screw them well in case of electric leakage.
4. Waterproof measurement are necessary when connecting to external power supply cord.



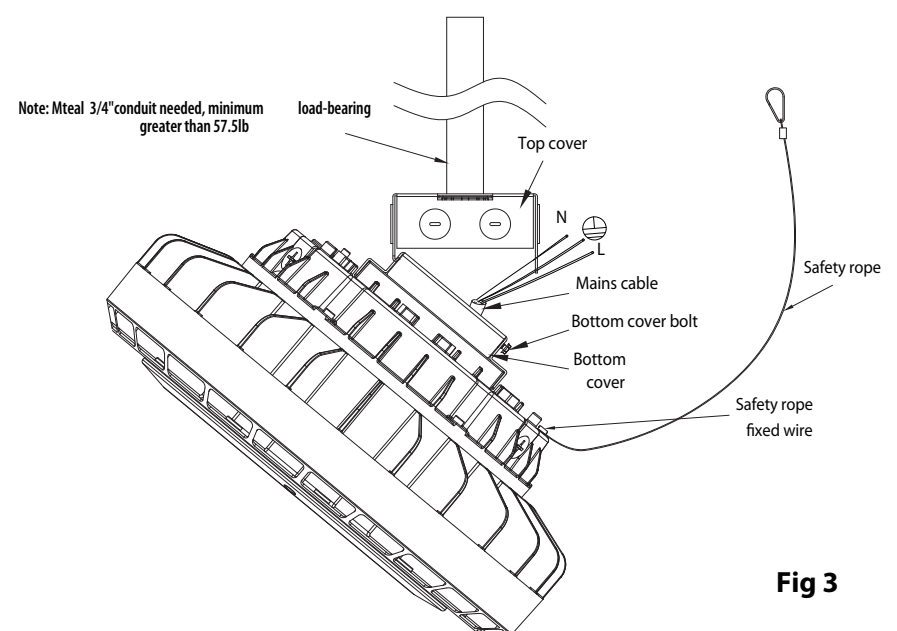
### Installing Hook Mount (Fig 2)

1. Remove Line Cord Protector first after you get the high bay light.
2. Take out the hook and sealing kits from accessory pocket. Wire sealing kits through the line cord first, and then the hook. Please note, while wiring through the sealing kits, on which the Attention: Locker End Up locker end must face the hook to achieve waterproof performance.
3. Screw the hook into 3/4" hole on high bay light, during which, the locker end on sealing kits wrap the line cord tightly, thus sealing effect is achieved. ATTENTION: DO NOT SCREW THE HOOK TOO HARD.
4. After hook screwed in, tighten screw M4x6, which is already in high bay light. It helps keep the hook from loosening and falling.
5. Hook installation is done. Attention: sealing kits must be installed well. No installing or inadequate installing would lead to water leaking in.

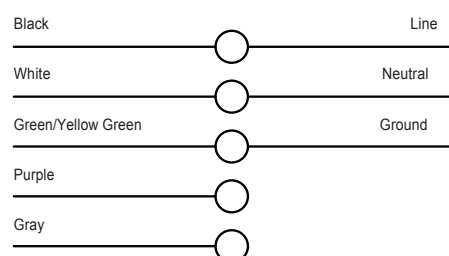


### Installing Mounted With J-Box (Fig 3)

1. Fix bottom cover of J-box onto fixture and top cover onto ceiling. Pull cable out of pole from J-box top cover.
2. Hang fixture with bottom cover onto hook of top cover in J-box.
3. Wire Live and Neutral cable respectively. Watch out for wire joint point and screw them well in case of electric leakage.
4. Up hold the fixture until screws of bottom cover touches slot of top cover. Slide right the fixture to the bottom, then fix screws.
5. Waterproof measurement are necessary when connecting to external power supply cord.



#### Wire Connection



Note: Two dimming wire in the driver box