

DUSK TO DAWN (MDD03)



DESCRIPTION

The LED Dusk to Dawn combines optical performance, energy efficiency and versatility to meet the needs of any area. It features a power door for easy maintenance and 3G vibration rated construction. This LED solution provides uniform and energy conscious illumination for municipal streets, commercial and perimeter lighting.



SPECIFICATION FEATURES

Overview

- Initial Delivered Lumens: 3,800~5650lm
- CRI: ≥ 70
- Mounting: Mounts directly to wall surface or to pole with mounting arm (accessory sold separately)

- Replaces up to 175W MH
- CCT: Optional 3000K, 4000K and 5000K
- Limited Warranty: 5 Years
- Lifespan: Estimated >50,000 Hours

Construction

- Durable, die-cast aluminum housing silver gray polyester powder-coat finish
- Photocell included

Electrical

- Input Voltage: 120-277V
- Power Factor: ≥ 0.9
- Total Harmonic Distortion: ≤20%
- Operating Temperature Range: -40°C - + 45°C (-40°F - + 113°F)

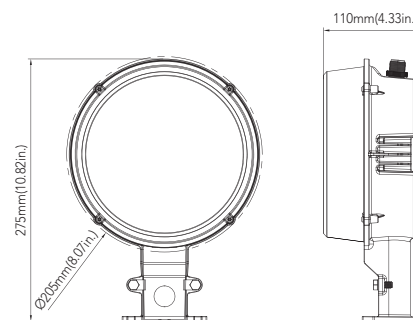
Recommended use

- General Area Illumination
- Entryways & Pathways
- Yards & Loading Docks

Listing

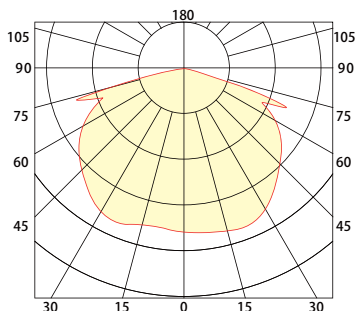
- cULus wet location listed
- DLC qualified

DIMENSIONS





Net Weight:
27W: 2.205lb
40W: 2.403lb

PHOTOMETRICS



ACCESSORIES

	<p>Mounting arm kit</p> <p>USE: For pole mounting</p>
	<p>Photocell</p> <p>No. PC-JL-120-277V</p> <p>USE: Photocell is field installed or pre-installed in factory by requesting</p>

PERFORMANCE DATA

Professional

SYSTEM WATTS	VOLTAGE	CRI	LUMENS (4000K)	LPW (4000K)	LUMENS (5000K)	LPW (5000K)
27W	120-277V	70	3800lm	141 lm/W	3850lm	143 lm/W
40W	120-277V	70	5600lm	140 lm/W	5650lm	141 lm/W

ELECTRICAL DATA

Number Of Drivers	Driver Current (mA)	Nominal Power (W)	INPUT VOLTAGE (V)	CURRENT (Amps)
1	430	27	120	0.23
		27	208	0.13
		27	240	0.11
		27	277	0.10
1	640	40	120	0.33
		40	208	0.19
		40	240	0.17
		40	277	0.14

ORDERING GUIDE

Example: MDD03 27W 27V XXK YYY

Fixture Type <input type="text"/>	Wattage <input type="text"/>	Voltage <input type="text"/>	CCT <input type="text"/>	Finish <input type="text"/>	Photocell (Option) <input type="text"/>	Internal Code <input type="text"/>
MDD03	27 27W 40 40W	27V 120-277V	30K 3000K 40K 4000K 50K 5000K	D Dark Bronze B Black W White SG Silver Gray	P0 120-277V Photocell Blank Without photocell	Blank Alphanumeric

DLC Model NO.

SYSTEM WATTS	VOLTAGE	CCT	DLC NO.	DLC Classification
27W	120-277V	4000K	MDD0327W27V40K[SG,D,B,W][Blank,P0,P1][Blank,0-9 or A-Z or a-z]	Standard
		5000K	MDD0327W27V50K[SG,D,B,W][Blank,P0,P1][Blank,0-9 or A-Z or a-z]	Standard
40W	120-277V	4000K	MDD0340W27V40K[SG,D,B,W][Blank,P0,P1][Blank,0-9 or A-Z or a-z]	Standard
		5000K	MDD0340W27V50K[SG,D,B,W][Blank,P0,P1][Blank,0-9 or A-Z or a-z]	Standard

