

# DUSK TO DAWN (MDD01)



## DESCRIPTION

Multi-purpose dusk-to-dawn LED luminaire delivers ultra-efficient LED lighting with a low total cost of ownership and a quick return on investment. It features a power door for easy maintenance and 3G vibration rated construction. While its lightweight design, tool-less entry, and easy installation make dusk-to-dawn luminaire an ideal solution for any contractor.



## SPECIFICATION FEATURES

### Overview

- Initial Delivered Lumens: 6,350–9,600lm
- CRI: ≥ 70
- CCT: Optioal 4000K and 5000Kt
- Mounting: Mounts directly to wall surface or to pole with mounting arm (accessory sold separately)

- Operating Minimum: -40°C (-40°F)
- Lifespan: Estimated >50,000 Hours
- Power Factor: ≥ 0.9
- Total Harmonic Distortion: ≤20%
- Limited Warranty: 5 Years
- Replaces up to 175W MH

### Construction

- Durable, die-cast aluminum housing dark bronze polyester powder-coat finish
- Twist-lock photocell included

### Electrical

- Input Voltage: 120-277V
- Operating Temperature Range: -40°C - + 45°C (-40°F - + 113°F)

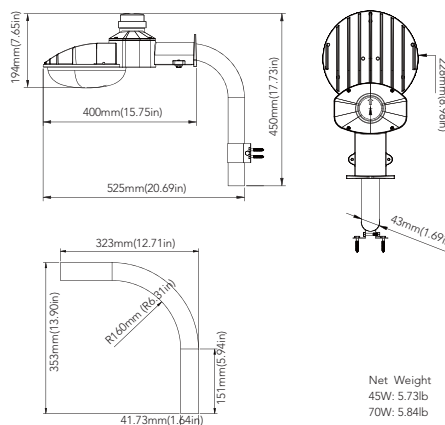
### Recommended use

- General Area Illumination
- Entryways & Pathways
- Yards & Loading Docks

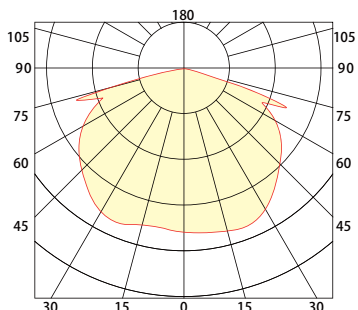
### Listing

- cULus Listed
- Suitable for wet locations



### DIMENSIONS



## PHOTOMETRICS



## ACCESSORIES

	<p><b>Mounting arm kit</b></p> <p>USE: For pole mounting</p>
	<p><b>Photocell</b></p> <p>No. PC-JL-120-277V</p> <p>USE: Photocell is field installed or pre-installed in factory by requesting</p>

## PERFORMANCE DATA

SYSTEM WATTS	VOLTAGE	CRI	LUMENS (4000K)	LPW (4000K)	LUMENS (5000K)	LPW (5000K)
45W	120-277VAC	70	6350lm	141 lm/W	6400lm	142 lm/W
70W	120-277VAC	70	9500lm	136 lm/W	9600lm	137 lm/W

# ELECTRICAL DATA

Number Of Drivers	Driver Current (mA)	Nominal Power (W)	INPUT VOLTAGE (V)	CURRENT (Amps)
1	1100	45	120	0.38
		45	208	0.22
		45	240	0.19
		45	277	0.16
1	1630	70	120	0.58
		70	208	0.34
		70	240	0.29
		70	277	0.25

## ORDERING GUIDE Example: ST 45W 27V XXX A YY

Fixture Type	Wattage	Voltage	CCT	Series	Finish	Photocell (Option)
<input type="text"/>	<input type="text"/>	<input type="text"/>	<input type="text"/>	<input type="text"/>	<input type="text"/>	<input type="text"/>
<b>ST</b> Street Light	<b>45</b> 45W <b>70</b> 70W	<b>27V</b> 120-277V	<b>40K</b> 4000K <b>50K</b> 5000K	<b>A</b> A Series	<b>D</b> Dark Bronze <b>B</b> Black <b>W</b> White <b>SG</b> Silver Gray	<b>PO</b> 120-277V Photocell <b>Blank</b> Without Photocell

