

## 2 ft. 4000K, 1260lm RetroStick LED T5 - 30pk

- Ideal low cost retrofit solution for fluorescent troffers and strips
- Quick installation saves labor costs – included magnetic clips affix T5 RetroStick to existing metal housing, eliminating the need for fastening screws
- Highly reliable direct power solution – eliminate ballasts and tombstones
- Internal driver – easily connect fixtures using jumper cord (sold separately) or end-to-end
- High efficacy – 140 lm/W, DLC Premium
- Delamp 2 for 1 – two connected fixtures will produce over 2,500 lumens
- Eliminate waste by using the existing troffer housing
- Mounting bracket available for fastening to non-magnetic surfaces (sold separately)
- 9W bare lamp wattage – maximizes return on investment
- High quality of light – frosted diffuser produces uniform luminescence and wide light angle
- 4000K – cool white
- 120-277V
- Energy efficient, long-lasting LED – significantly reduces energy costs compared to fluorescent tubes
- 50,000 hours rated lifetime
- 5-year limited warranty



Specifications	
Model	LNT5-2FT-C40-W9
Part Number	70432
Color Temperature	4000K
Lumen Output	1260lm
Wattage	9W
Power Factor	0.9
CRI	80
Efficacy	140lm/W
Dimmable	No
Voltage	120-277V
Input Current	100mA
Operating Temperature	-20°C to 40°C
Weight	4.16 oz.
Dimensions	19.68 x 1.41 x 0.86 in
Rated Lifetime	50,000 Hours
Warranty	5-Year Limited Warranty
DLC Product Listing	LNT5-2FT-C40-W9

### Certifications:

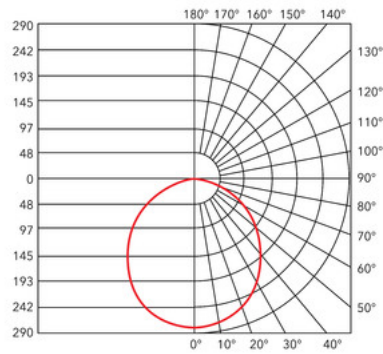
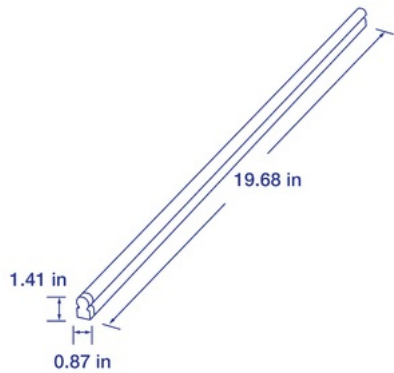


## 2 ft. 4000K, 1260lm RetroStick LED T5 - 30pk

### Additional Images:



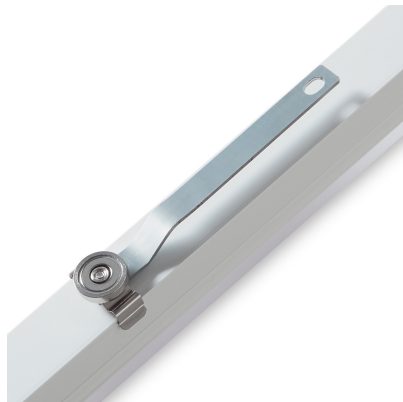
### Diagrams:



### Available accessories:



12" Power Cable  
(70402)



T5 Stick Bracket  
(70407)



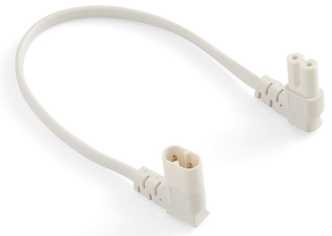
12" Jumper Cable  
(70403)



7" Jumper Cable  
(70404)



36" Power Cable  
(70456)



12" Jumper Cable  
(70457)

