



Installation Guide

Safety Information

WARNING - RISK OF SERIOUS INJURY AND PROPERTY DAMAGE

Carefully read all instructions and product labels prior to installation.

To reduce risk of death, personal injury, electric shock, cuts/abrasions, falling parts or property damage from fire, carefully read all warnings, instructions and product labels.

Wear gloves and safety glasses at all times when removing light fixture from carton, installing, servicing or performing maintenance.

Ensure that your installation matches all elements shown in the descriptions and drawings of the installation instructions before you begin.

Save these instructions for future reference.

- **PRIOR TO INSTALLATION, MAINTENANCE, INSPECTION OR REMOVAL, TURN OFF ELECTRICAL POWER AT FUSE OR CIRCUIT BREAKER BOX.**
- **CAUTION: RISK OF FIRE OR ELECTRIC SHOCK.** DO NOT use input power other than the voltage specified in the product specifications.
- The installation, service and maintenance of this light fixture must be performed by a licensed electrician. If you are not qualified, contact a licensed electrician.
- Product installation must comply with the National Electrical Code and all local electrical and building codes and regulations.
- All wiring connections should be capped with UL approved wire connectors.
- DO NOT use outdoors.
- DO NOT install if product is damaged.
- DO NOT use this equipment other than for its intended use.
- DO NOT allow the wiring to contact sharp edges, such as sheet metal edges.
- Suitable for use in damp locations.
- Suitable for use in -30 to 50 °C ambient temperatures.
- May not be compatible with all dimmers. For up-to-date compatibility, visit <https://NACSmart.com>
- Keep combustible and other materials that can burn away from light fixture and lamp/lens.
- Avoid looking directly into light while on.

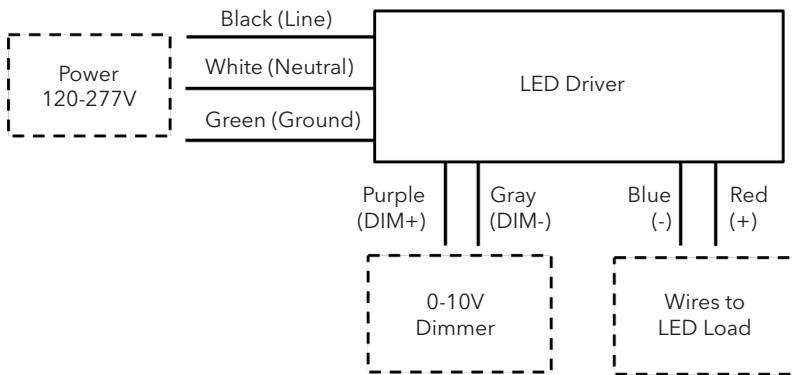
This device complies with Part 15 of the FCC rules. Operation is subject to the following two conditions: 1) this device may not cause harmful interference, and 2) this device must accept any interference received, including interference that may cause undesired operation.

Product Specifications

Part Number	Model Number	Input Voltage (VAC)	Input Wattage (W)	Input Current (mA)	Input Frequency (Hz)	Lumens	CCT (K)	Dimensions L x W x H	Weight
70190	HB-110W-C40-P	120-277	110	1000	50/60	14,300	4000	23.8 x 12.6 x 2.68 inches 320 x 605 x 68 mm	8.77 lbs. 3980 grams
70191	HB-165W-C40-P		165	1600		21,450		23.8 x 17.3 x 2.68 inches 440 x 605 x 68 mm	11.86 lbs. 5380 grams
70192	HB-225W-C40-P		225	2000		29,250		45.9 x 12.6 x 2.68 inches 320 x 1166 x 68 mm	15.9 lbs. 7210 grams
70193	HB-110W-C50-P		110	1000		14,300	5000	23.8 x 12.6 x 2.68 inches 320 x 605 x 68 mm	8.77 lbs. 3980 grams
70194	HB-165W-C50-P		165	1600		21,450		23.8 x 17.3 x 2.68 inches 440 x 605 x 68 mm	11.86 lbs. 5380 grams
70195	HB-225W-C50-P		225	2000		29,250		45.9 x 12.6 x 2.68 inches 320 x 1166 x 68 mm	15.9 lbs. 7210 grams

Installation Guide

Wiring Diagrams



Installation Instructions

Included chain kit:

- V hooks (2)
- 1.05m chain (2)

1. Thread the end of a chain over each V hook. Secure each chain to a load bearing structure that is rated for the weight of the fixture. See Figure 1 (chain mounting case).
2. Insert V hooks onto two opposite sides of the fixture. Make sure the hooks are fully engaged into the side holes as shown. See Figure 2.
3. Remove the cover plate in the center of the driver housing.
4. Connect the main power supply and 0-10V dimming control wires according to the wiring diagram in Figure 3. Replace the cover plate.
5. Double check the security of all mounting hardware.

Figure 1

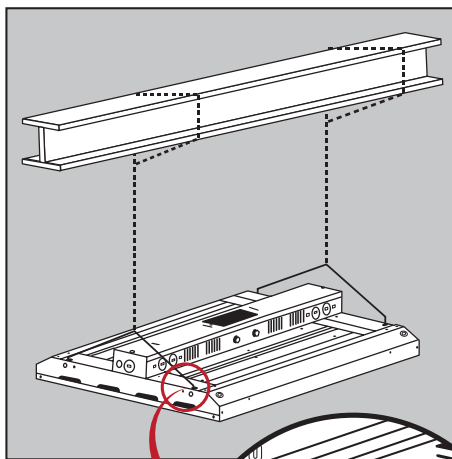


Figure 2

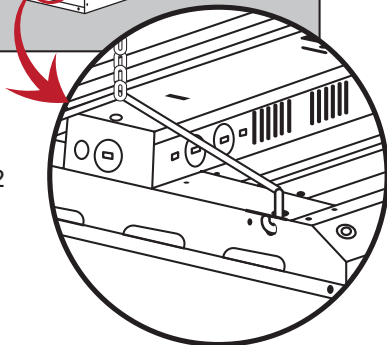
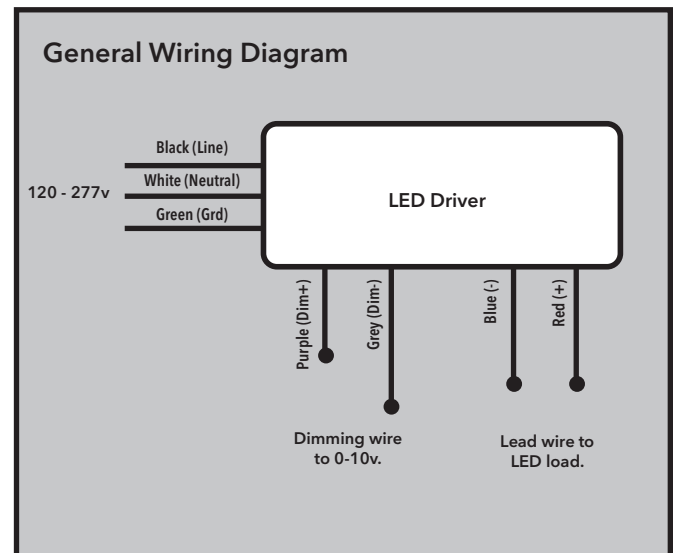


Figure 3



Warranty & Support

NAC 5-year warranty <https://NACSmart.com/warranty>.

For support, visit <https://NACSmart.com/support>

May not be compatible with all dimmers.

For up-to-date compatibility please visit https://NACSmart.com/dimmer_support.